

AXXICON CHECK LIST FOR AIM MOULD BASE



www.axxicon.com

Axxicon Quotation Number Q _____

Company name _____
 Country _____
 Contact Person _____
 Email _____

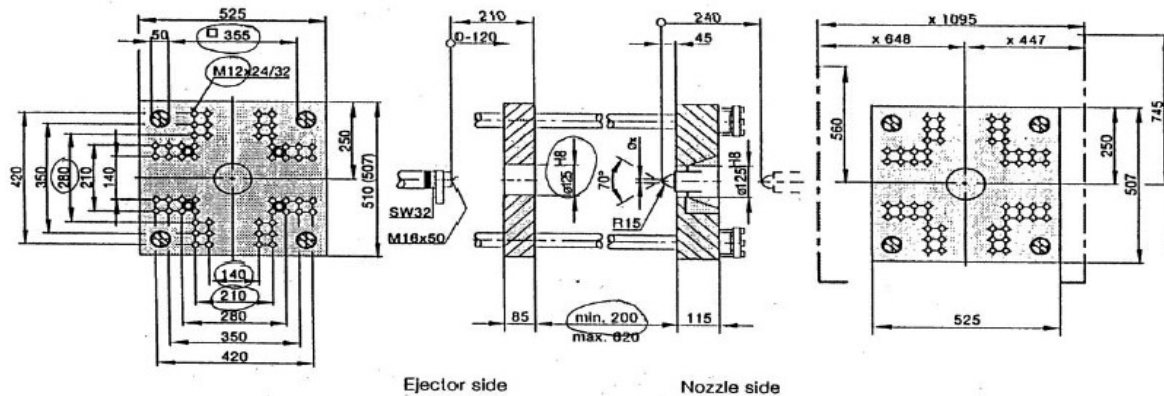
Date _____
 Agent _____
 Contact Person _____
 Email _____

MOULD BASE	HOLE PATTERN	BOLT SIZE	MACHINE DRAWING ATTACHED?
<input type="radio"/> Horizontal <input type="radio"/> Vertical	<input type="radio"/> Euromap <input type="radio"/> SPI <input type="radio"/> Other: _____	<input type="radio"/> M12 <input type="radio"/> M16 <input type="radio"/> Other _____	<input type="radio"/> Yes <input type="radio"/> No

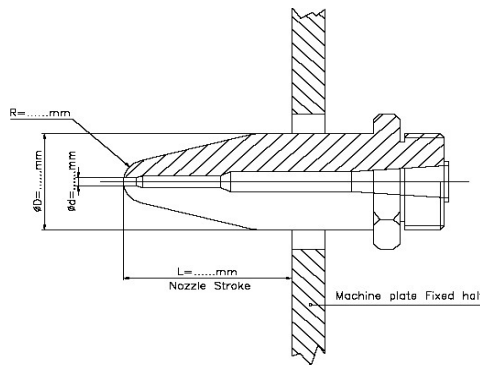
INJECTION MOULDING MACHINE	OPTIONS
<input type="radio"/> Machine type/brand _____ <input type="radio"/> Clamping Force _____ <input type="radio"/> Locating ring \varnothing _____ mm <input type="radio"/> Ejector rod-Yes/No _____ <input type="radio"/> Min. shot volume _____ cm ³	<input type="radio"/> Training <input type="radio"/> Installation <input type="radio"/> Maintenance kit <100° <input type="radio"/> Maintenance kit <250° <input type="radio"/> Cooling Channel Drainer <input type="radio"/> Coupling kit <100° <input type="radio"/> Other: _____

MOULD TEMPERATURE	RELEASE AND SECURE OF INSERTS
<input type="radio"/> 10-100 °C (Low temperature - water / oil) <input type="radio"/> 10-140 °C (Low temperature - water / oil) <input type="radio"/> 140-250 °C (High temperature - water / oil)	<input type="radio"/> Mechanical locking system (standard) <input type="radio"/> Pneumatic cylinder

EXAMPLE OF MACHINE PLATE DETAILS TO BE PROVIDED



NOZZLE REQUIREMENTS



- Length nozzle stroke L _____ mm
- Radius of nozzle R _____ mm
- Outer diameter D \varnothing _____ mm
- Orifice diameter d \varnothing _____ mm

REMARKS
