

AXXICON CHECK LIST FOR AIM MIRROR

AXXICON



www.axxicon.com

Axxicon Quotation Number Q _____
Revision Number _____

Company name _____
Country _____
Contact Person _____
Email _____

Date _____
Agent _____
Contact Person _____
Email _____

MIRROR FIXED HALF SPECIFICATIONS

Mirror surface plate, polished N0/N1 (SPI-SPE 1-2) according ISO 1302
One Temperature sensor is mounted at Pos. C. Sensor has 5 meters cable length

- Mirror FH
- Mirror FH Special (including position A and B for pressure measuring)

Please specify temperature sensor type: J-type: (FE)
 K-type: (NiCr-Ni)

MOULD TEMPERATURE

- 10-140 (Low temperature - water / oil)
- 140-200 (High temperature - water / oil)

NOZZLE AND BACKSIDE RADIUS

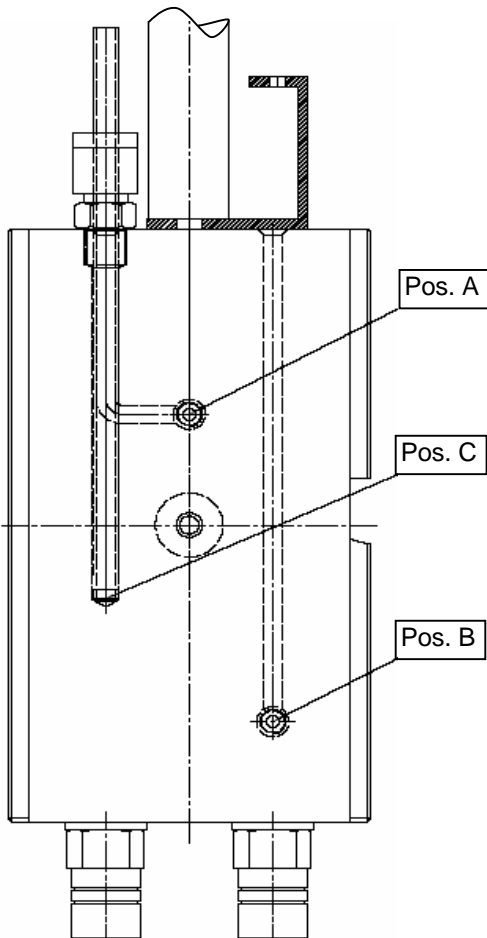
- Standard radius on mirror: 35mm
- Radius of nozzle: _____mm

COATING *

- None
- Tin coating
- MCP coating

MATERIALS

- Material: _____
- Fillers: _____



PRESSURE MEASURING

(to be filled out for mirror FH special)

Pos. A: measurement on Runner

- Hole with dummy plug ; Ø 4 mm
- Pressure sensor Kistler 6157BA 0,4mtr
- Pressure/Temp. sensor Kistler 6191Q01 0,4mtr
- Extension cable for Kistler sensor 5,0 mtr
- Other: _____

Pos. B: measurement on Product Specimen

- Hole with dummy plug ; Ø 4 mm
- Pressure sensor Kistler 6157BA 0,4mtr
- Pressure/Temp. sensor Kistler 6191Q01 0,4mtr
- Extension cable for Kistler sensor 5,0 mtr
- Other: _____

NOTE

All AIM parts will be tested with a material selected by Axxicon
Standard material PP or PE

** For add on prices, please refer to price list*

REMARKS

Please return this data sheet to your local agent or to: a.lavrijsen@axxicon.com